

PK 24001 K

ITS HOOK HEIGHT AT CLOSE RANGE IS AN IMPORTANT CHARACTERISTIC FOR EFFICIENT LOAD HANDLING

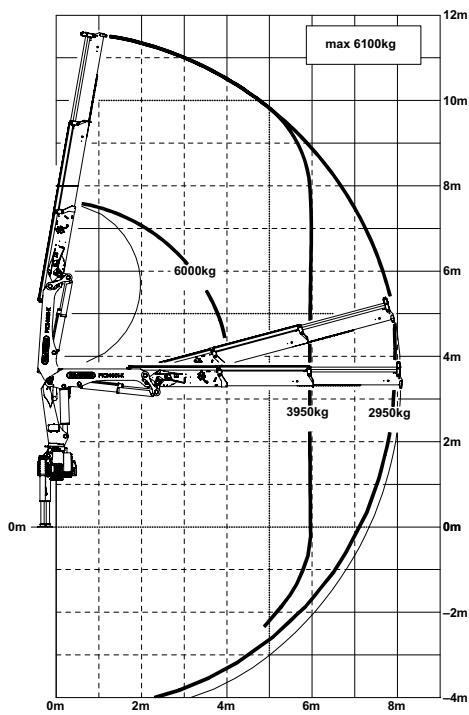
LIFETIME EXCELLENCE



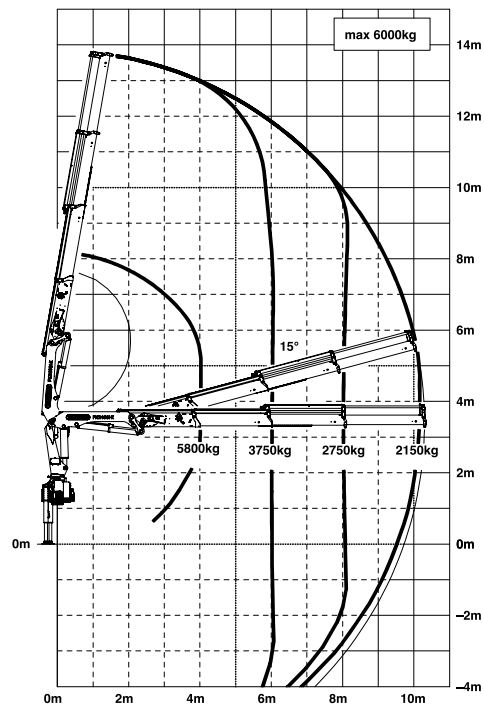
PK 24001 K

HIGH PERFORMANCE

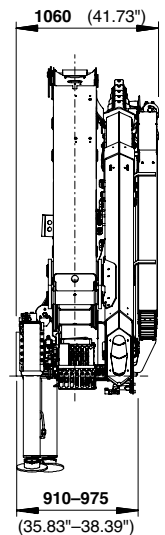
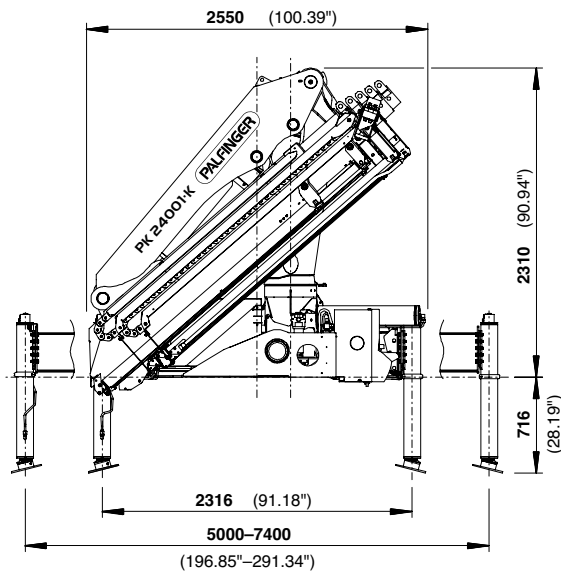
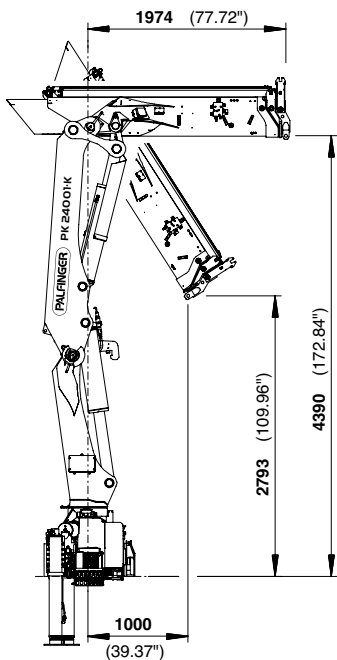
A



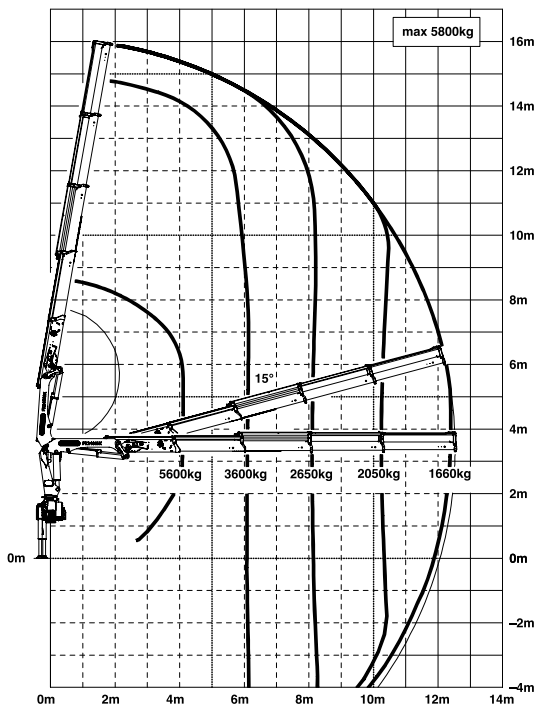
B



DIMENSIONS



C



- High value retention due to coating technology
- Additional applications due to Single Link Plus
- Maximum utilisation of the working range due to HPSC
- Higher payloads due to intelligent lightweight design
- Shorter load cycle times due to High Speed Extension

Technical specifications

EN 12999 HC1 HD4/B3

Max. lifting moment	24.1 mt/236.0 kNm	174050 ft.lbs
Max. lifting capacity	6100 kg/59.8 kN	13500 lbs
Max. hydraulic outreach	12.5 m	41' 0"
Max. manual outreach	16.9 m	55' 5"
Slewing angle	400°	
Slewing torque	2.8 mt/27.5 kNm	20260 ft.lbs
Stabiliser spread (std./max.)	5.0 m/7.4 m	16' 5"/24' 3"
Fitting space required (std.)	0.91 m	2' 12"
Width folded	2.55 m	8' 4"
Max. operating pressure	320 bar	4640 psi
Recommended pump capacity	from 50 l/min to 75 l/min	13.2 US gal./min 19.8 US gal./min
Dead weight (std.)	2451 kg	5400 lbs



*Optional features / country-specific equipment

KP-HPK24001KL3+EN

Cranes shown in the leaflet are partially optional equipped and do not always correspond to the standard version. Country-specific regulations must be observed. Dimensions may vary. Subject to technical changes, errors and translation mistakes.