

PK 30002 K

**POWER LINK PLUS, IT
GARANTEES MAXIMUM
MANOEUVRABILITY**

LIFETIME EXCELLENCE

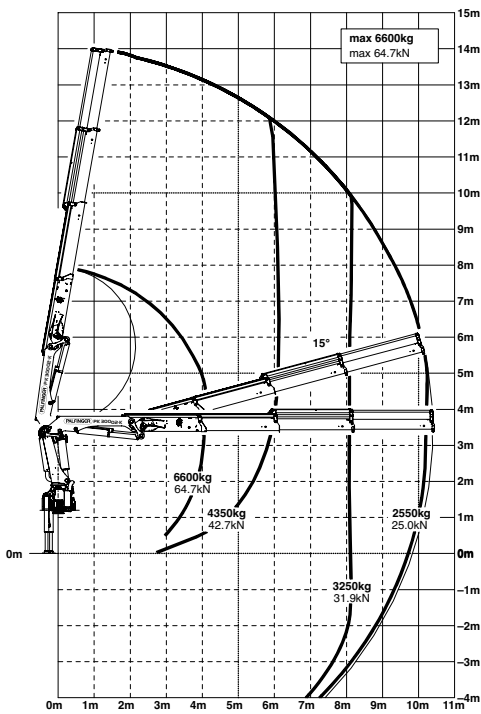


PK 30002 K

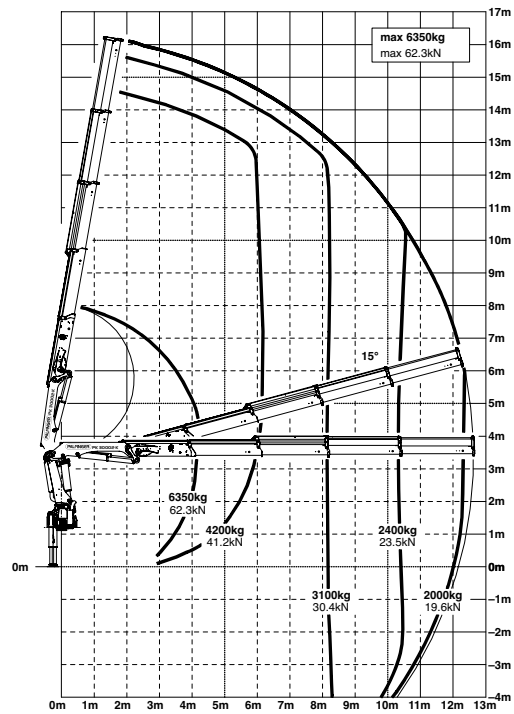
HIGH PERFORMANCE

Compact crane efficiency with Power Link Plus.

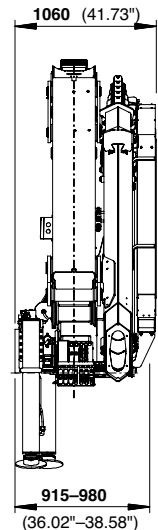
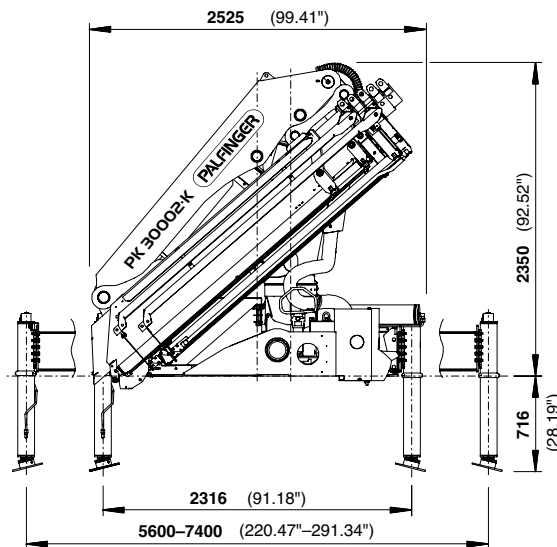
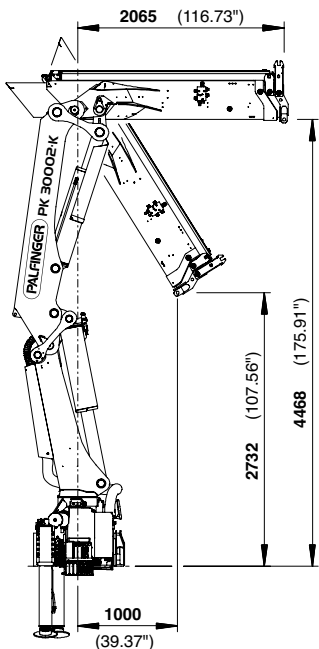
B



C



DIMENSIONS



The PK 30002 K unites robust and reliable technology with uncompromising High Performance equipment. Equipped with Power Link Plus, it guarantees maximum manoeuvrability. Its short, weight-optimized boom system gives it an ideal performance weight. Its compact construction, short parking length, and exceptional hook height make it the ideal crane for a wide range of duties.

Technical specifications

EN 12999 HC1 HD4/B3

Max. lifting moment	28.2 mt/277.0 kNm	204290 ft.lbs
Max. lifting capacity	7000 kg/68.7 kN	15430 lbs
Max. hydraulic outreach	12.6 m	41' 4"
Max. manual outreach	17.0 m	55' 9"
Slewing angle	400°	
Slewing torque	3.2 mt/31.4 kNm	23130 ft.lbs
Stabilizer spread (std.max)	5.6 m/18' 4"	7.4 m/24' 3"
Fitting space required (std.)	0.92 m	3' 0"
Width folded	2.53 m	8' 3"
Max. operating pressure	320 bar	4640 psi
Recommended pump capacity	from 55 l/min to 80 l/min	14.5 US gal./min 21.1 US gal./min
Dead weight (std.)	2790 kg	6150 lbs



* Optional features/country-specific equipment

KP-HPK30002KL2+EN

Applications shown in the leaflet do not always correspond to the standard specifications. Design and specification are subject to change without prior notice. Dimensions may vary. Subject to technical changes, errors and translation mistakes.