

PALFINGER

PK 7.001K SLD 3 | PK 7.501K SLD 5

**POWERFUL
PARTNER FOR
MUNICIPAL JOBS**

LIFETIME EXCELLENCE



EFFICIENCY IS ITS STRENGTH

- Very good hook height at close range
- Short stowage length in conjunction with additional equipment
- High value retention due to KTL-coating combined with powder coating or two component finish coat paint
- Maximum utilization of the working range due to HPSC
- Higher payloads due to intelligent lightweight design
- Shorter load cycle times due to High Speed Extension
- Maximum reliability due to PALTRONIC





Atlas Copco

QAS 40

PALFINGER

MIET

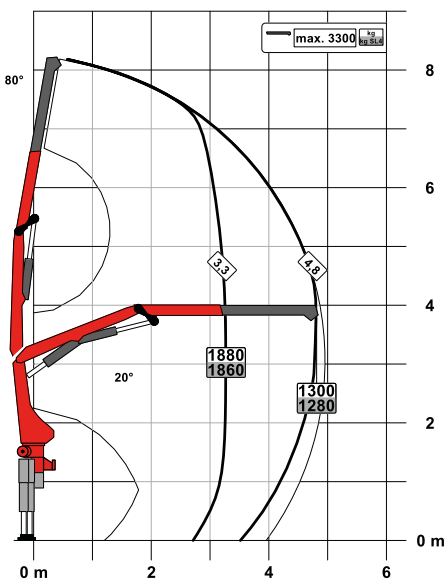
Vorsicht !
Bei Schließen und Öffnen
sicher verschließen. Last
ist verboten.

MEILLER-KIPPER

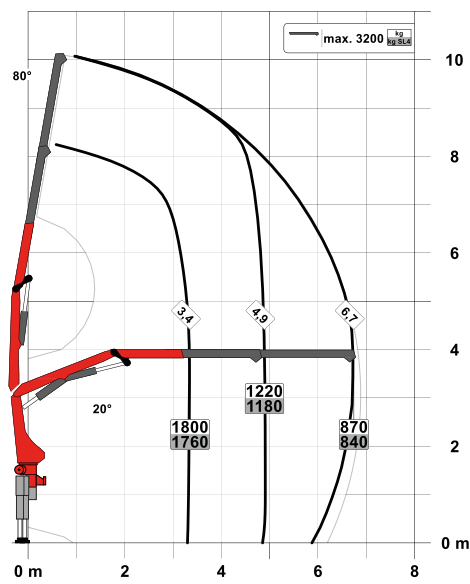
LIFTING CAPACITY DIAGRAMS

PK 7.001K SLD 3

STD

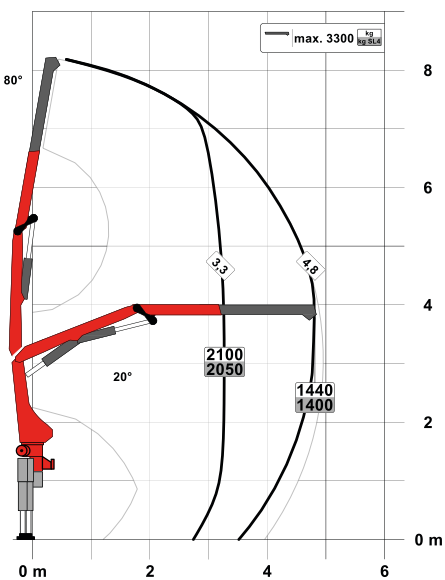


A

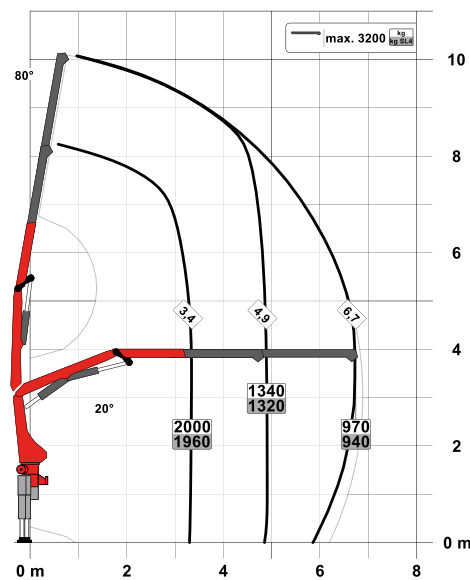


PK 7.501K SLD 5

STD



A



MODEL LINE SLD 3

- Single Link
- Paltronic overload protection
- Stability monitoring system ISC-S
- Optional:
 - Stability monitoring system HPSC-L, HPSC-E
 - Radio remote control
- CE model

TECHNICAL SPECIFICATIONS

EN 12999 HC1 HD4/S2

Max. lifting moment	6.2 mt/60.9 kNm	44910 ft.lb
Max. lifting capacity	3300 kg/32.4 kN	7300 lb
Max. hydraulic outreach	8.8 m	28' 11"
Slewing angle	400°	
Slewing torque	0.8 mt/7.8 kNm	5750 ft.lb
Stabiliser spread (std./max.)	3.0 m/ 5.0 m	9' 10"/ 16' 3"
Fitting space required (std.)	0.66 m	2' 2"
Width folded	2.2 m	7' 3"
Max. operating pressure	330 bar	4785 psi
Recommended pump capacity	from 20 l/min to 30 l/min	5.3 US gpm 7.9 US gpm
Dead weight (std.)	735 kg	1620 lb

MODEL LINE SLD 5

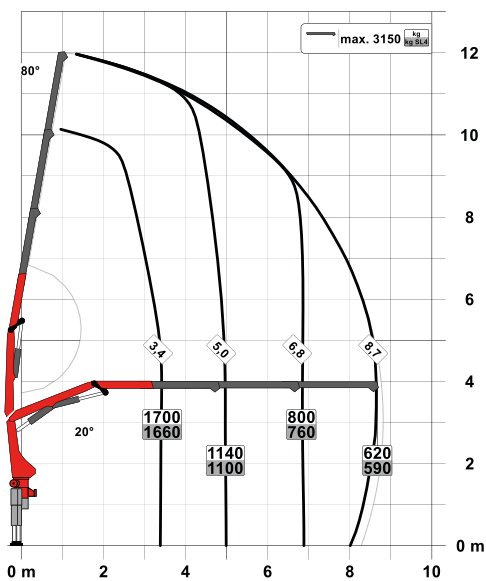
- Single Link
- Paltronic overload protection
- A-HPLS
- Load Sensing valve
- Radio remote control with LED display
- Stability monitoring system ISC-S
- Optional:
 - Stability monitoring system HPSC-L, HPSC-E
- CE model

TECHNICAL SPECIFICATIONS

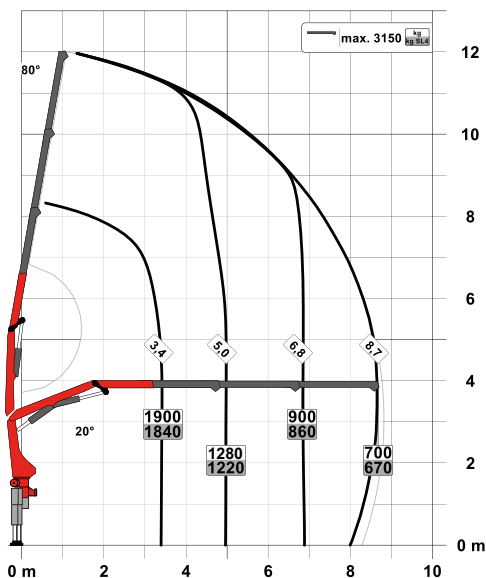
EN 12999 HC1 HD4/S2

Max. lifting moment	6.9 mt/67.4 kNm	49690 ft.lb
Max. lifting capacity	3300 kg/32.4 kN	7280 lb
Max. hydraulic outreach	8.8 m	28' 11"
Slewing angle	400°	
Slewing torque	0.8 mt/7.8 kNm	5750 ft.lb
Stabiliser spread (std./max.)	3.0 m/ 5.0 m	9' 10"/ 16' 3"
Fitting space required (std.)	0.67 m	2' 2"
Width folded	2.2 m	7' 3"
Max. operating pressure	360 bar	5220 psi
Recommended pump capacity	from 30 l/min to 40 l/min	7.9 US gpm 10.6 US gpm
Dead weight (std.)	765 kg	1690 lb

B

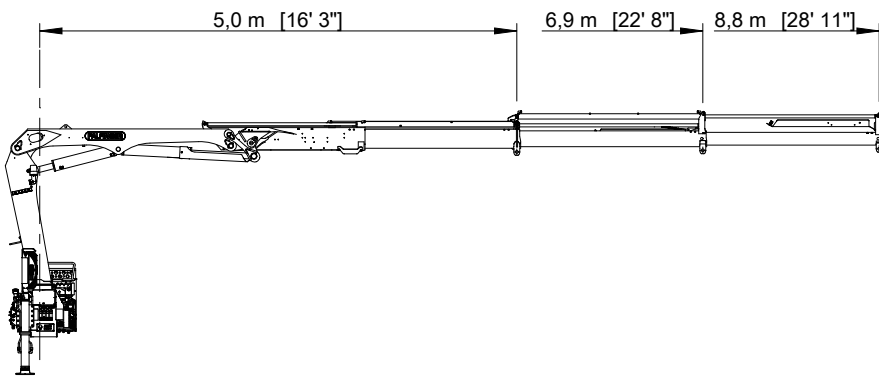


B

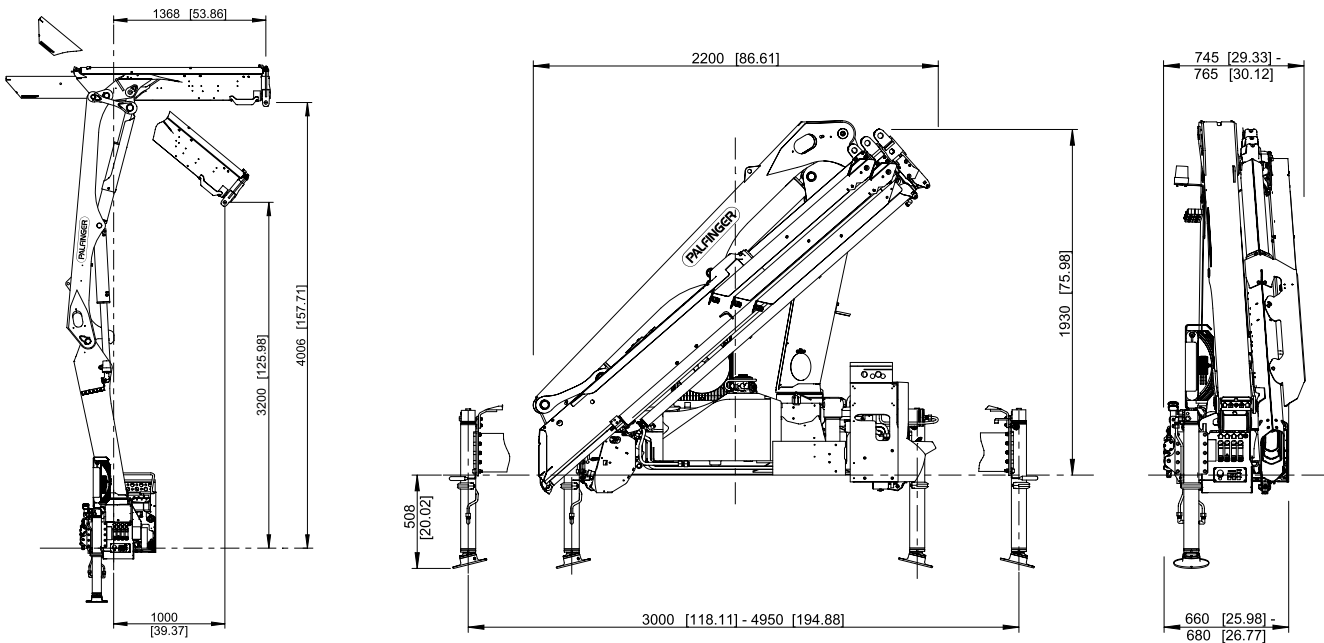


STRONG AND RELIABLE

EXTENSION BOOM VARIANTS STANDARD – B



WORKING POSITION, TRANSPORT POSITION



FIRST-RATE IN DESIGN AND PERFORMANCE

6 Highlights



Single Link

More power on the hook

The linkage system improves the crane's motion geometry significantly.



High Speed Extension

For efficient assignments

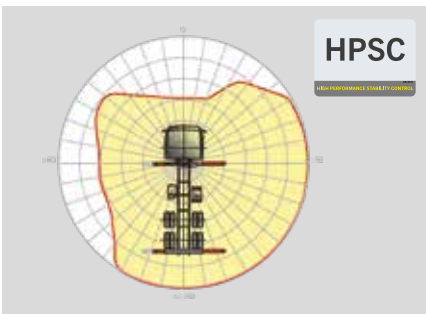
The High Speed Extension speeds up the extension boom system. Crane works faster and more efficiently.



Coating technology

Top quality surface protection at a glance

The KTL coating lays the foundation for a perfect surface protection. Afterwards the components are either coated in the powder-coating facility or are finished with a two-components-topcoat. High value retention and excellent corrosion protection for the whole life of a crane.



HPSC*

Maximum utilisation of the working range

The variable stabiliser positioning of the High Performance Stability Control System allows the full lifting capacity of the crane to be used, even when working within tight spaces.



Paltronic

Comfort and safety

The PALTRONIC, PALFINGER offers the latest control electronics for the series production crane. The custom designed electronic operates and monitors the crane and offers more efficiency in use and safety.



Radio remote control*

Dialogue with the operator

PALFINGER radio remote controls are equipped with linear lever or cross lever and provide the greatest possible comfort for the operator. All SLD 5 models with LED-Display inform the crane operator about the different operating conditions.

KP-PK7/75KSLDM3+EN

Die abgebildeten Krane sind teilweise mit Wunschausrüstung ausgestattet und entsprechen nicht immer der Standardausführung. Beim Kranaufbau sind länderspezifische Vorschriften zu beachten. Maßangaben unverbindlich. Technische Änderungen, Irrtümer und Übersetzungsfehler vorbehalten.