

**PK 8502 | 9002 EH**

# **POWER LINK PLUS ENABLES YOU TO WORK IN TIGHT SPACES**

**LIFETIME EXCELLENCE**



# LIFETIME EXCELLENCE

PALFINGER loader cranes are convincing due to their superior life-cycle performance. They are the most economical and also the most reliable over the entire product life. From solution finding to resale.

- **Better solutions**
- **Better efficiency**
- **Better ergonomics**
- **Higher availability**
- **More reliability**
- **Better ecology**
- **Higher serviceability**
- **Higher value retention**



# FOR UNIVERSAL USE

- Perfect appearance and extremely high value retention thanks to coating technology
- More lifting power due to E-HPLS
- High operator friendliness due to optional radio remote control
- Increased operating times due to low-maintenance extension system
- Maximum utilisation of the working range due to HPSC





# FIRST-RATE IN DESIGN AND PERFORMANCE

## 12 Highlights



### Power Link Plus

High variety of uses

With the 15-degree reverse linkage system, you can reach through low door openings and also work inside buildings. Heavy crane work – even in difficult conditions.



### Low-maintenance extension system

Reduces service time

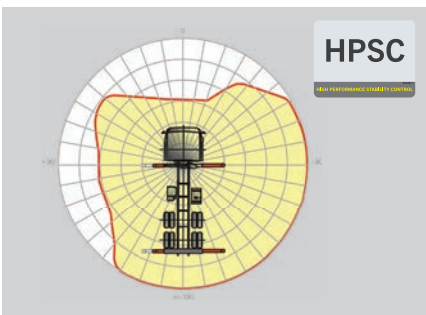
With sliding elements made of synthetic material and the high-quality KTL coating, this boom system significantly simplifies service performed by the operator. This saves time and money – and protects the environment.



### High Speed Extension

For efficient assignments

The High Speed Extension speeds up the extension boom system. Crane works faster and more efficiently.



### HPSC

Maximum utilisation of the working range

The variable stabiliser positioning of the High Performance Stability Control System makes it possible to utilise the lifting capacity to the maximum. It enables working within tight spaces.



### PAL 50

Comfort and safety

The PALTRONIC 50, PALFINGER offers the latest control electronics for the series production crane. The custom designed electronic operates and monitors the crane and offers more efficiency in use and safety.



### Control console

All information at a glance

All important information about the crane can be seen on the main control stand. A digital indicator counts and displays the operating hours. Ergonomic control levers and the optional lighting package provide increased safety and comfort even in poor visibility conditions.



### Coating technology

Top quality surface protection at a glance

The KTL coating lays the foundation for a perfect surface protection. Afterwards the components are either coated in the powder-coating facility or are finished with a two-components-topcoat. High value retention and excellent corrosion protection for the whole life of a crane.



### Functional design

Practical and attractive

Robust plastic covers protect crane parts against dirt and damage. Better appearance and increased operational comfort – during the entire lifetime.



### Radio remote control

Dialogue with the operator

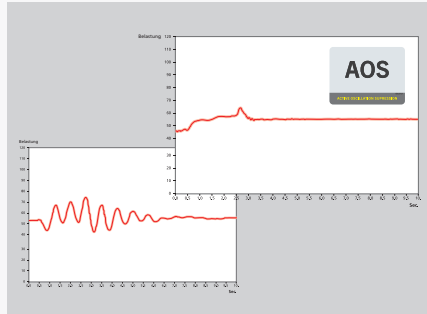
PALFINGER radio remote controls are equipped with linear lever or cross lever and provide the greatest possible comfort for the operator. All EH models with LED-Display inform the crane operator about the different operating conditions.



### Hose equipment for attachments

Versatile and user-friendly

The hose equipment offers an easy means of connecting auxiliary equipment. The hose equipment is guided in hose trays for protection.



### AOS

Maximum precision and safety

The active oscillation suppression system prevents „post-oscillation“ in the event of rapid braking or load changes. The stress peaks on the extension boom system are reduced and material fatigue and wear are minimised. This increases the resale value.



### Lighting package\*

More crane safety particularly at dusk and dark

LEDs which backlight the control panel make it easier to read off the crane functions and provide the crane operator with a quick overview of the entire panel during the working process. LED warning lights in the supporting cylinders mean greater safety for crane operator and passers-by.



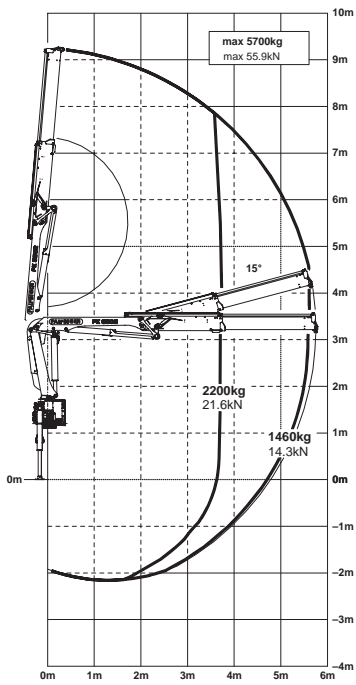
\* Optional features / country-specific equipment

PK 8502

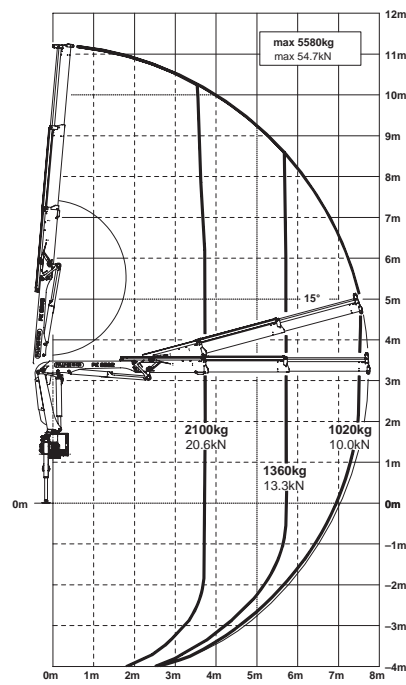
# HIGH PERFORMANCE

Umcompromising quality.

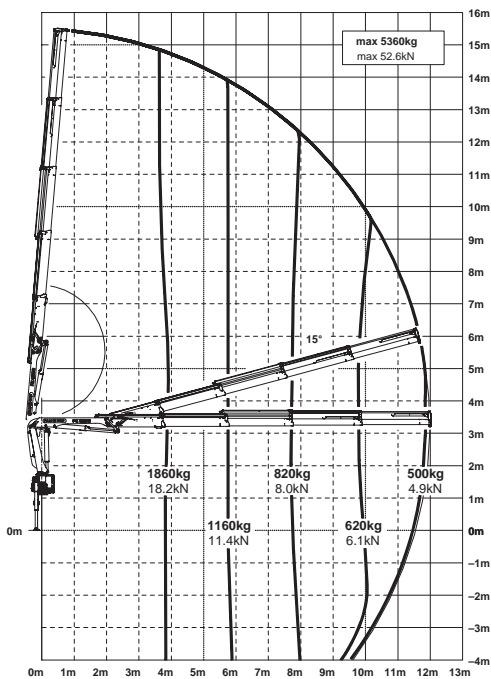
STD



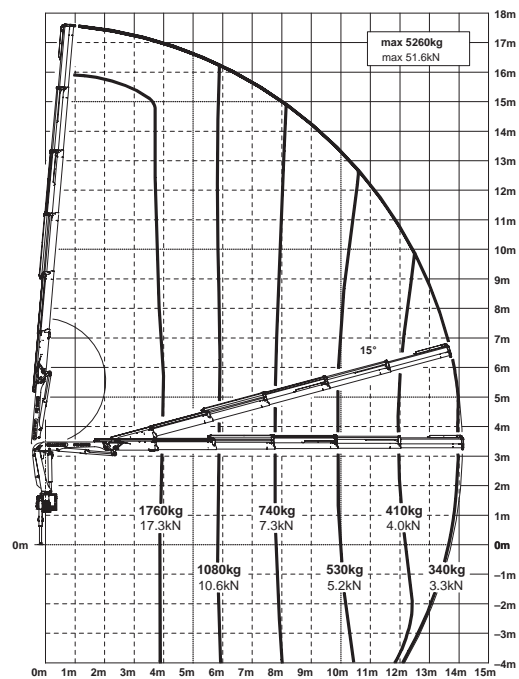
A



C

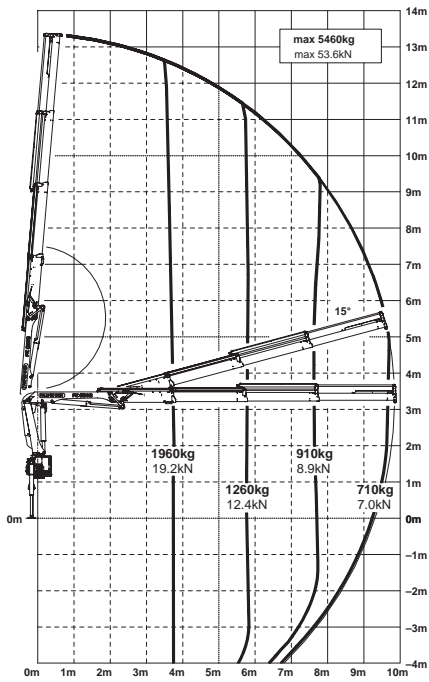


D



The outreaches stated are with a boom angle of 20° and are therefore not the maximum.



**B**

## Lifting capacities

<b>max.</b>		<b>5700 kg / 12570 lbs</b>	<b>STD</b>
3.7 m	12' 2"	2200 kg / 4850 lbs	
5.6 m	18' 4"	1460 kg / 3220 lbs	

<b>max.</b>		<b>5580 kg / 12300 lbs</b>	<b>A</b>
3.8 m	12' 6"	2080 kg / 4590 lbs	
5.7 m	18' 8"	1360 kg / 3000 lbs	
7.6 m	24' 11"	1010 kg / 2230 lbs	

<b>max.</b>		<b>5460 kg / 12040 lbs</b>	<b>B</b>
3.9 m	12' 10"	1960 kg / 4320 lbs	
5.8 m	19' 0"	1260 kg / 2780 lbs	
7.7 m	25' 3"	910 kg / 2010 lbs	
9.7 m	31' 10"	710 kg / 1570 lbs	
11.9 m*	39' 1"	540 kg / 1190 lbs	
13.9 m*	45' 7"	430 kg / 950 lbs	

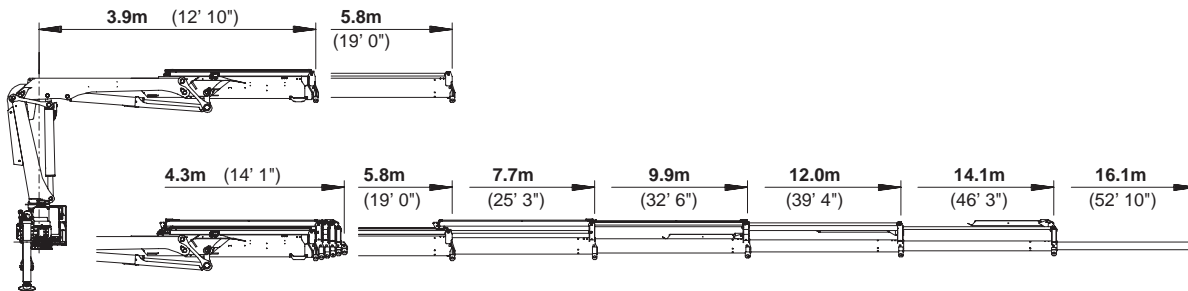
<b>max.</b>		<b>5360 kg / 11820 lbs</b>	<b>C</b>
3.9 m	12' 10"	1860 kg / 4100 lbs	
5.8 m	19' 0"	1160 kg / 2560 lbs	
7.7 m	25' 3"	820 kg / 1810 lbs	
9.8 m	32' 2"	620 kg / 1370 lbs	
11.8 m	38' 9"	500 kg / 1100 lbs	
13.8 m*	45' 3"	400 kg / 880 lbs	
15.8 m*	51' 10"	320 kg / 710 lbs	

<b>max.</b>		<b>5260 kg / 11600 lbs</b>	<b>D</b>
4.0 m	13' 1"	1760 kg / 3880 lbs	
5.9 m	19' 4"	1080 kg / 2380 lbs	
7.8 m	25' 7"	740 kg / 1630 lbs	
9.9 m	32' 6"	530 kg / 1170 lbs	
11.9 m	39' 1"	410 kg / 900 lbs	
13.9 m	45' 7"	340 kg / 750 lbs	
16.0 m*	52' 6"	270 kg / 600 lbs	

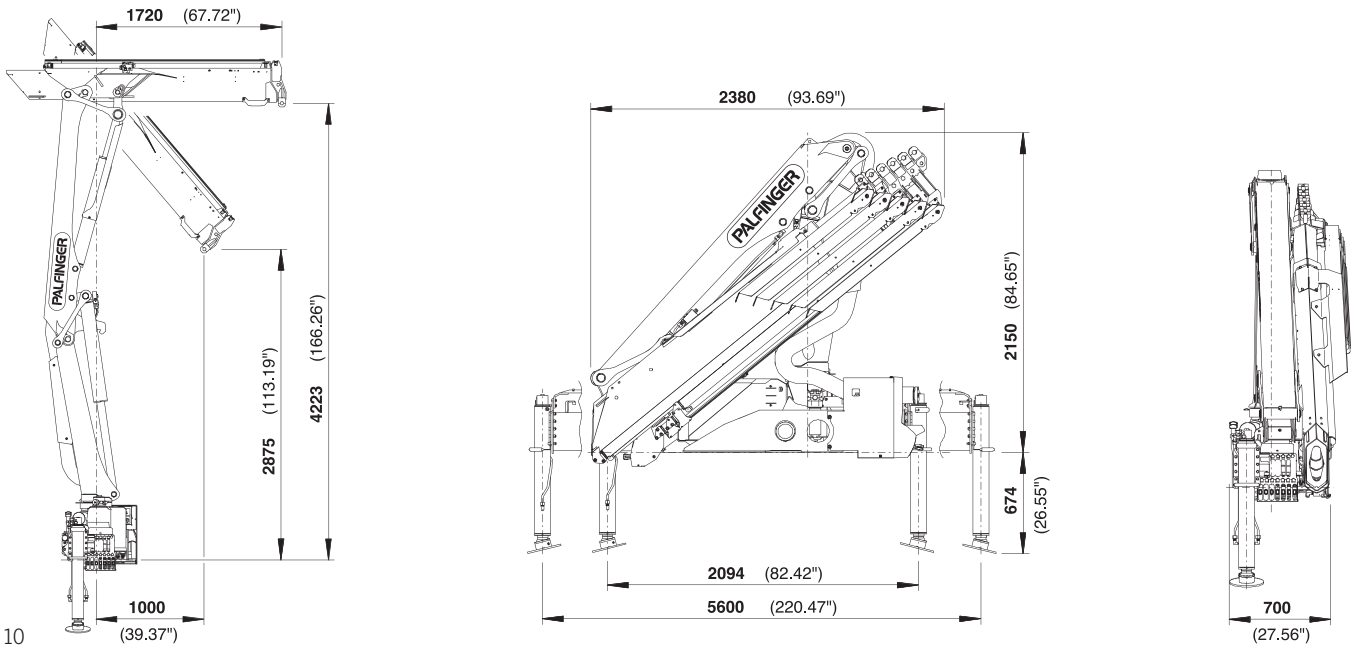
\*mechanical extension

# PERFECT DIMENSIONS

## EXTENSION BOOM VARIATIONS



## DIMENSIONS



## PK 8502

### Technical specifications EN 12999 HC1 HD4/B3

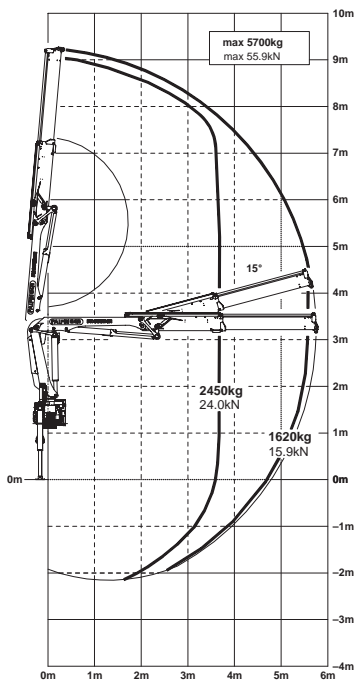
Max. lifting moment	8.2 mt/80.4 kNm	59330 ft.lbs
Max. lifting capacity	5700 kg/55.9 kN	12570 lbs
Max. hydraulic outreach	14.1 m	46' 3''
Max. manual outreach	16.1 m	52' 10''
Slewing angle	400°	
Slewing torque	1.0 mt/9.8 kNm	7240 ft.lbs
Stabilizer spread (std./max.)	3.2 m/10' 6''	5.6 m/18' 4''
Fitting space required (std.)	0.70 m	2' 4''
Width folded	2.33 m	7' 8''
Max. operating pressure	320 bar	4640 psi
Recommended pump capacity	from 25 l/min to 35 l/min	6.6 US gal./min 9.2 US gal./min
Dead weight (std.)	1044 kg	2300 lbs

PK 9002 EH

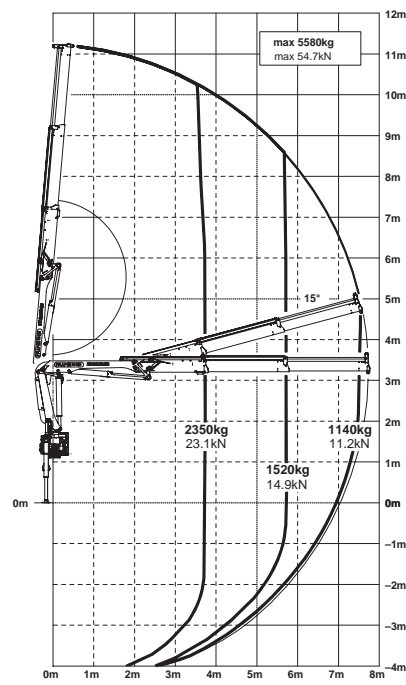
# HIGH PERFORMANCE

Powerful and versatile.

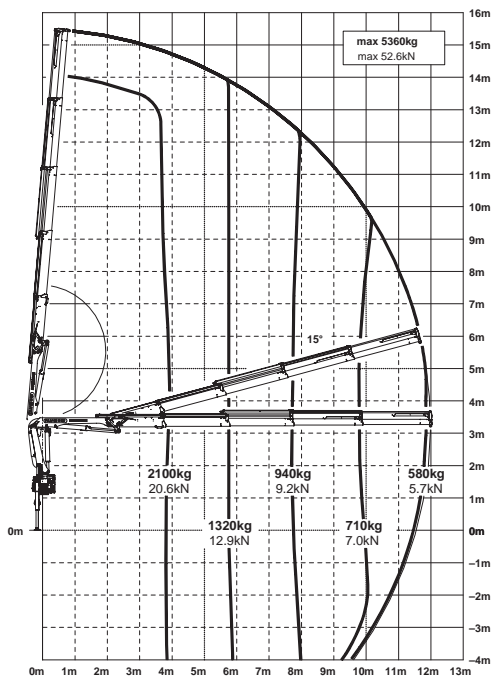
STD



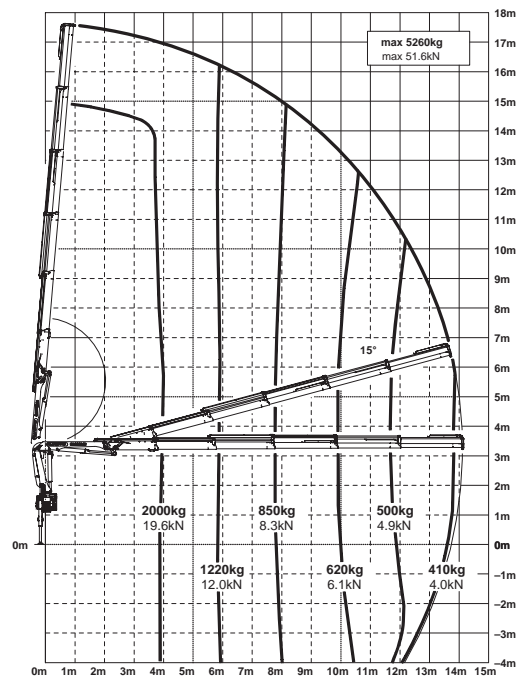
A



C

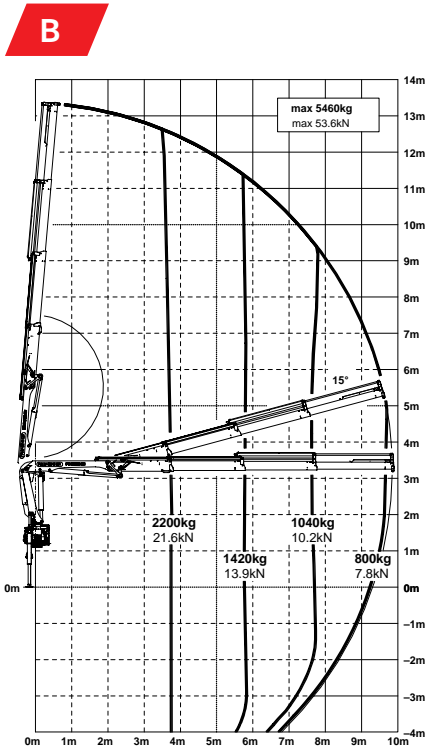


D



The outreaches stated are with a boom angle of 20° and are therefore not the maximum.

## Lifting capacities



<b>max.</b>		<b>5700 kg / 12570 lbs</b>		<b>STD</b>
3.7 m	12' 2"	2450 kg /	5400 lbs	
5.6 m	18' 4"	1620 kg /	3570 lbs	

<b>max.</b>		<b>5580 kg / 12300 lbs</b>		<b>A</b>
3.8 m	12' 6"	2350 kg /	5180 lbs	
5.7 m	18' 8"	1520 kg /	3350 lbs	
7.6 m	24' 11"	1140 kg /	2510 lbs	

<b>max.</b>		<b>5460 kg / 12040 lbs</b>		<b>B</b>
3.9 m	12' 10"	2200 kg /	4850 lbs	
5.8 m	19' 0"	1420 kg /	3130 lbs	
7.7 m	25' 3"	1040 kg /	2290 lbs	
9.7 m	31' 10"	800 kg /	1760 lbs	
11.9 m*	39' 1"	620 kg /	1370 lbs	
13.9 m*	45' 7"	500 kg /	1100 lbs	

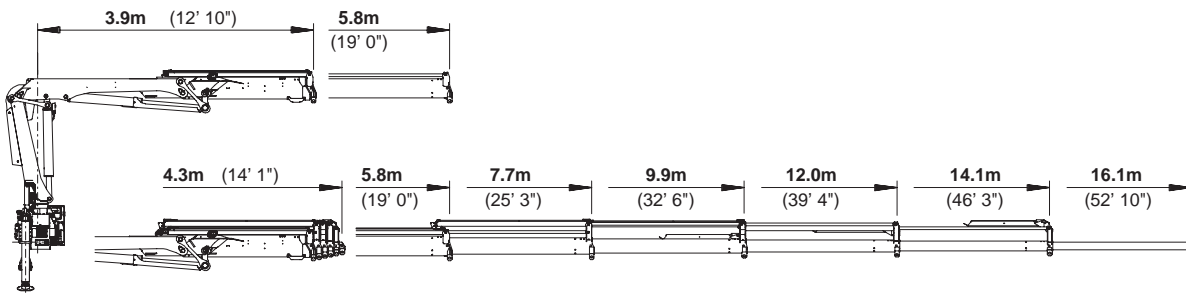
<b>max.</b>		<b>5360 kg / 11820 lbs</b>		<b>C</b>
3.9 m	12' 10"	2100 kg /	4630 lbs	
5.8 m	19' 0"	1320 kg /	2910 lbs	
7.7 m	25' 3"	940 kg /	2070 lbs	
9.8 m	32' 2"	710 kg /	1570 lbs	
11.8 m	38' 9"	580 kg /	1570 lbs	
13.8 m*	45' 3"	460 kg /	1010 lbs	
15.8 m*	51' 10"	380 kg /	840 lbs	

<b>max.</b>		<b>5260 kg / 11600 lbs</b>		<b>D</b>
4.0 m	13' 1"	2000 kg /	4410 lbs	
5.9 m	19' 4"	1220 kg /	2690 lbs	
7.8 m	25' 7"	850 kg /	1870 lbs	
9.9 m	32' 6"	620 kg /	1370 lbs	
11.9 m	39' 1"	500 kg /	1100 lbs	
13.9 m	45' 7"	410 kg /	900 lbs	
16.0 m*	52' 6"	330 kg /	730 lbs	

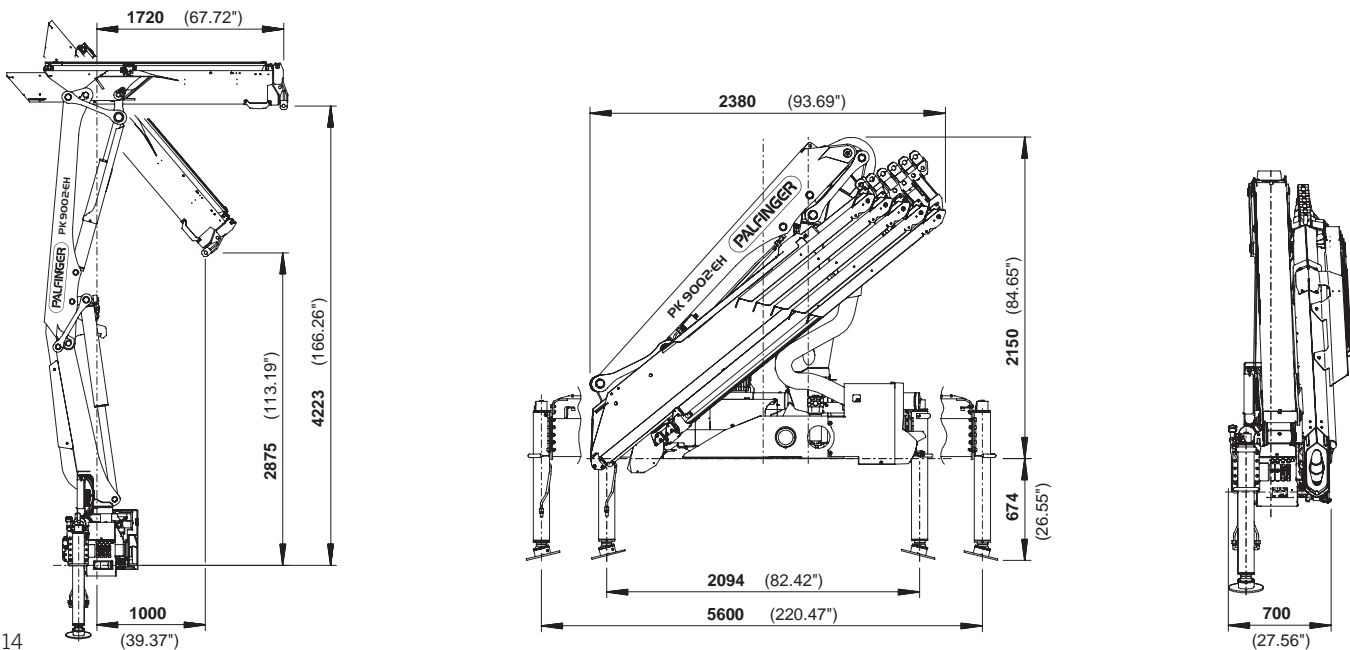
\*mechanical extension

# PERFECT DIMENSIONS

## EXTENSION BOOM VARIATIONS



## DIMENSIONS



## PK 9002

### Technical specifications EN 12999 HC1 HD4/B3

Max. lifting moment	9.1 mt/89.3 kNm	65840 ft.lbs
Max. lifting capacity	5700 kg/55.9 kN	12570 lbs
Max. hydraulic outreach	14.1 m	46' 3''
Max. manual outreach	16.1 m	52' 10''
Slewing angle	400°	
Slewing torque	1.0 mt/9.8 kNm	7240 ft.lbs
Stabilizer spread (std./max.)	3.2 m/10' 6''	5.6 m/18' 4''
Fitting space required (std.)	0.70 m	2' 4''
Width folded	2.33 m	7' 8''
Max. operating pressure	350 bar	5075 psi
Recommended pump capacity	from 40 l/min to 50 l/min	10.6 US gal./min 13.2 US gal./min
Dead weight (std.)	1069 kg	2360 lbs

### Package model

- E-HPLS
- Paltronic 50
- Radio remote control with LED display
- Danfoss control valve or PVG2000
- 8.5 kW oil cooler
- 100 l oil tank



KP-H85/9002EM3+EN

Cranes shown in the leaflet are partially optional equipped and do not always correspond to the standard version. Country-specific regulations must be observed. Dimensions may vary. Subject to technical changes, errors and translation mistakes.