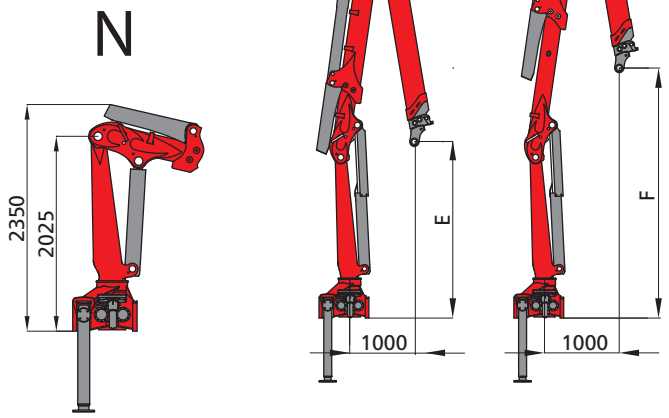
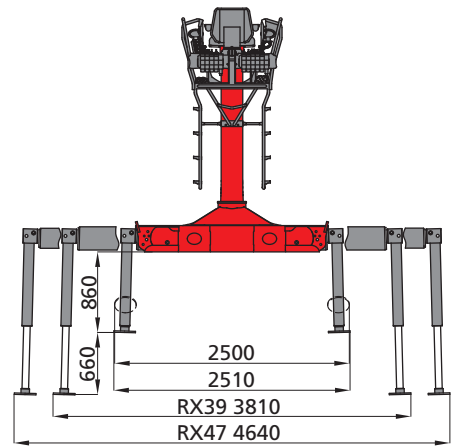
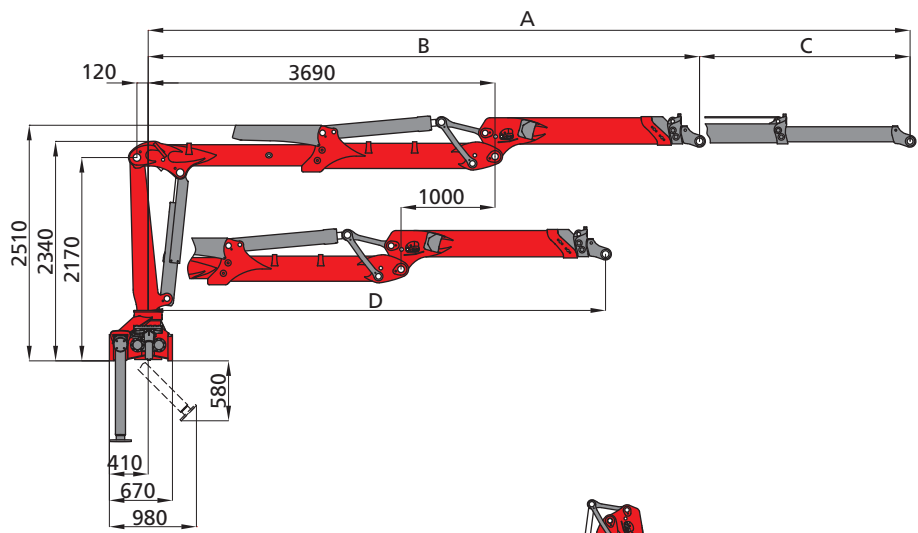
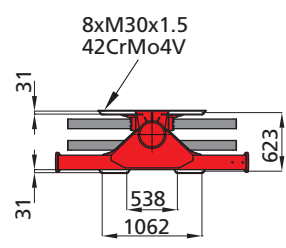


TRIPLE - L
M100L
M110L
M120L





	81 TR	95 TR
A	8110	9490
B	5870	6330
C	2240	3160
D	4870	5330
E	2890	2410
F	3840	3360



Model	3m	4m	5m	6m	7m	8m
M100L81TR	3060	2290	1820	1510	1280	1100 kg
M110L81TR	3440	2570	2040	1690	1440	1240 kg
M120L81TR	3700	2770	2200	1830	1550	1350 kg

Model	3m	4m	5m	6m	7m	8m	9m
M100L95TR	2990	2230	1760	1450	1220	1050	930 kg
M110L95TR	3350	2500	1980	1630	1380	1190	1050 kg
M120L95TR	3630	2710	2150	1770	1500	1300	1140 kg

		M100L		M110L		M120L	
		81TR	95TR	81TR	95TR	81TR	95TR
ONROAD RECYCLING							
	[kNm]	92	90	103	100	111	109
	[kNm]	24		27		28	
	[°]	425					
	[m]	8,1	9,5	8,1	9,5	8,1	9,5
	[bar]	215		235		250	
	1K [l/min]	1 x 80					
	2K [l/min]	2 x 70					
	1K LS [l/min]	1 x 130					
	[kg]	2330	2400	2360	2430	2400	2470